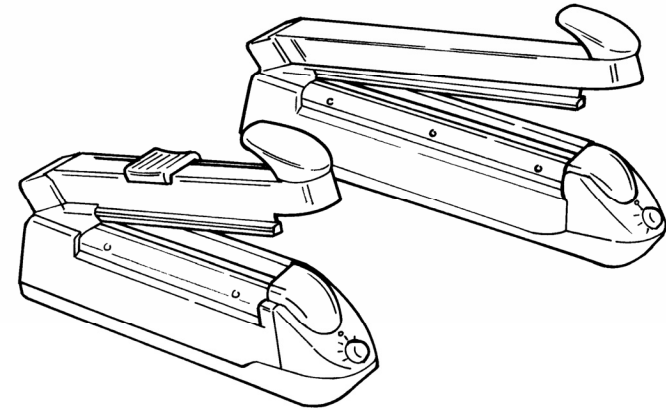


USER INSTRUCTIONS



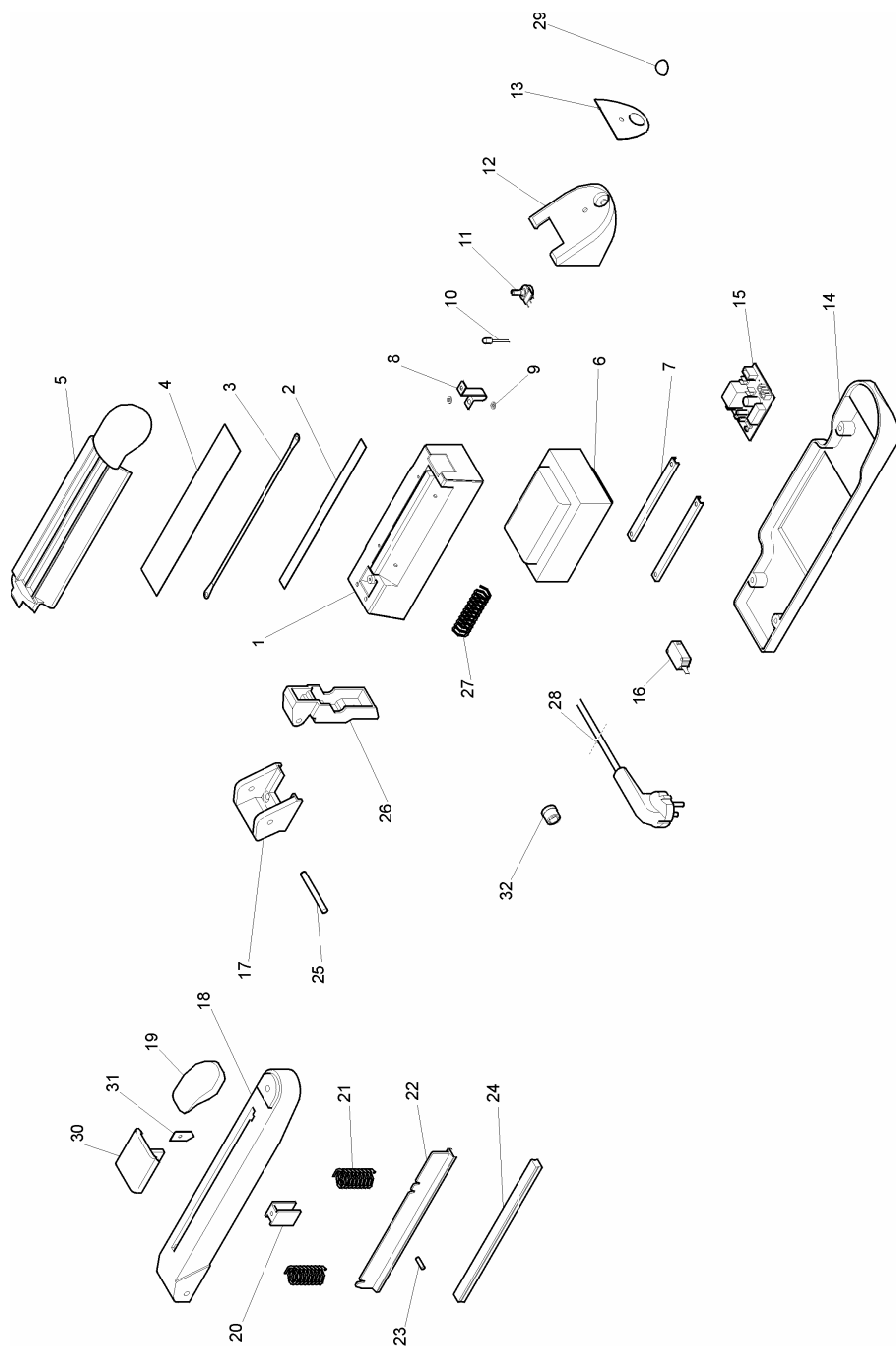
**SERVICE CENTRE
AUTHORISED DEALER**

Hand Sealer

Mod. S300/2 - S400/2 - S400/2T

Exploded view legend

1	Body	17	Bracket
2	Teflon tape	18	Sealing arm
3	Heating element	19	Knob
4	Teflon cloth	20	Platen holder
5	Cover	21	Platen spring
6	Transformer	22	Platen
7	Fixer for transformer	23	Platen pin
8	Heat holder	24	Silicon rubber
9	Washer	25	Sealing arm pin
10	Led	26	Switch lever
11	Resistance	27	Sealing arm spring
12	Controller	28	Power cord
13	Plate board	29	Volume knob
14	Bottom plate	30	Holder for cutter
15	Power board	31	Cutter
16	Micro switch	32	Bushing for power



HAND SEALER 300 / 400 / 400 T

BEFORE USE

- Locate the sealer on a level surface, in a dry area.
- Connect to correct voltage power supply (see data plate for correct voltage).
- Power will only be used on impulse when handle is pushed down.

CAUTION!

- Do not use outdoors or in a wet or humid location.
- If an extension lead is used, ensure that it is undamaged, and the plug is correctly wired.
- When sealing all films it is most important to keep timer to the minimum.
- Start by setting timer knob to lowest setting and test on the film then increase by small increments until a satisfactory seal is achieved.
- Operating the sealer at too high a setting in relation to the thickness and type of film being used or without any film at all, will burn the upper Teflon and cause the heating element to fail prematurely.

OPERATION

- Place a polybag or film over the heating element at the desired seal location.
- Press the handle down firmly for 1-2 seconds. Indicator light will illuminate and goes out once seal time is completed. Leave handle down momentarily after light goes out to allow film to cool. Do not use undue pressure.
- Inspect the seal. If the seal does not appear to be fully welded and pulls apart, adjust the timer knob to a higher setting.

If the seal appears broken and overheated or the polybag/film sticks to the silicon rubber pressure pad beneath the lever, adjust the timer knob to a lower setting; or allow longer cooling time between seals.

TIMER SETTINGS

- The machine will seal all types of Polyethylene, LDPE and Polypropylene in sheets or bag form.
- The timer is infinitely variable in 9 settings to accommodate the various thickness and types of material being used.
- Simply adjust timer to suit gauge of film in use until the desired seal strength is obtained.
- Please, ensure that the material is kept completely flat across the Teflon fabric to obtain maximum seal efficiency.

- Depending on types of material used this unit will seal from two layers of 25 micron (100 gauge) up to 2 x 200 micron (2 x 800 gauge).

MODEL

HAND SEALER 2mm / 2mm T

FOR BEST RESULTS AND RELIABLE OPERATION

- Keep the Teflon fabric cover over the heating element clean and free of contamination. If it is damaged replace it immediately.
- Keep the silicon rubber Pressure Pad free of contamination, replace if damaged, or remove and use other side.
- Allow at least one second "cooling time" between operations. Daily operations should not exceed 1000. Your sealer is designed for long trouble free service. Should a malfunction occur, the following may assist you in locating the fault.

APPARENT POWER FAILURE

(Indicator light does not come on when handle is pressed)

CHECK THE FOLLOWING

- Switch at wall socket is on.
- Plug fuse has not blown.
- Power supply cord is not damaged.

INDICATOR LIGHT COMES ON BUT NO WELD

CHECK THE FOLLOWING

- Inspect heating element for breaks. Replace if necessary.

IMPERFECT WELD

CHECK THE FOLLOWING

- Inspect Teflon fabric heating element cover for breaks or damage. Replace if necessary.
- Inspect silicon rubber pressure pad for damage. Replace if necessary.
- Inadequate "cooling time". Allow at least one second between operations.
- Eventually certain components such as the heater element and the Teflon fabric heater cover will require replacement through "normal wear and tear"

- Inspect lower Teflon , replace if worn otherwise element will short out on body of machine.

To replace the Teflon fabric heater cover

Disconnect machine from mains supply. Remove the screws that locate the retaining plates. The Teflon fabric can be lifted clear and replaced by a new part and the retaining plate and screws replaced.

TECHNICAL DATA

		S 300/2	S 400/2	S 400/2T c/cutter
Power	watt	510	700	700
Sealing temperature	°C	150 max	150 max	150 max
Sealing time	sec.	min. 0,5 max 2,5	min. 0,5 max 2,5	min. 0,5 max 2,5
Adjustable sealing time	sec.	1,5	1,5	1,5
Sealing thickness	mm	0,5	0,5	0,5
Sealing length	mm	2 x 300-400	2 x 300-400	2 x 300-400
Dimensions	mm	455x75 h.210 open	555x75 h.210 open	555x75 h.210 open
Net weight	kg	3,5	4	4
Sealing material		PE, PP, LDPE, PVC		