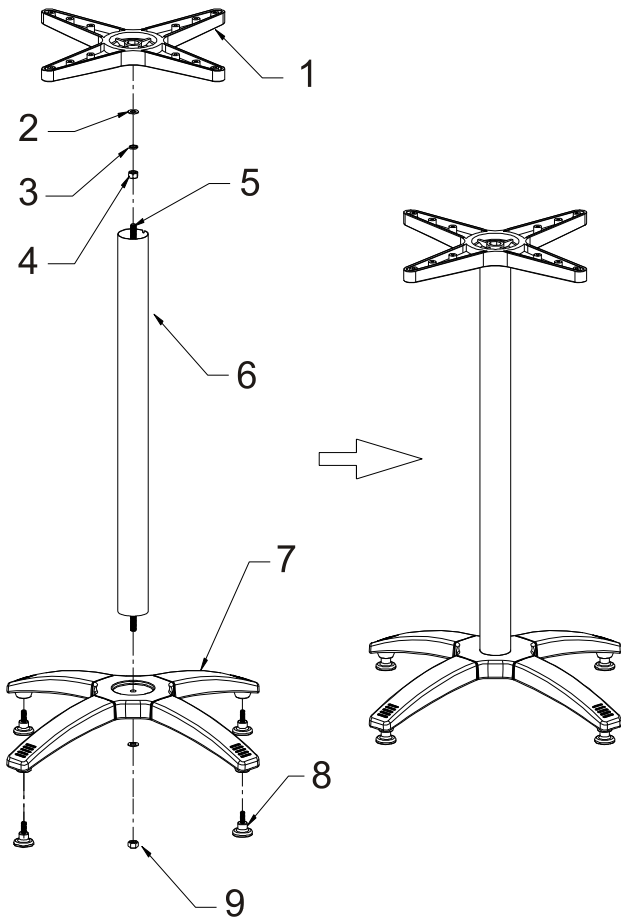


**Code DN641:  
Bolero Aluminium 4 leg Table Base**



**Parts List:**



1		1 x Spider
2		2 x Flat Washers
3		1 x Spring Washer
4		1 x Hexagonal Nut
5		1 x Rod
6		1 x Pole
7		1 x Base
8		4 x Screw Foot Caps
9		1 x Nylock Nut
10		1 x Hexagonal Nut Tightening Tool

**BOLERO, Fourth Way, Avonmouth, Bristol BS11 8TB**

### **Assembly instructions:**

1. Thread a hexagonal nut onto one threaded end of the rod with a spring washer to follow.
2. Place a flat washer over the hole on the metal spider and insert the threaded end of the rod
3. Turn the threaded rod until it securely grips into the metal spider.
4. Tighten the nut back down onto the unit using the spanner supplied
5. Place the aluminum tube over the threaded rod, ensuring that the end of the tube is securely positioned on the metal spider.
6. Place the stainless steel foot base over the end of the threaded rod.
7. Place a flat washer and nylock nut on the end of the threaded bar and tighten using the socket spanner
8. Finally screw the feet caps to the underside of the Table foot base

**BOLERO, Fourth Way, Avonmouth, Bristol BS11 8TB**